

# 智明電子股份有限公司規格承認書

## CHIMING ELECTRONICS CORP SPECIFICATION FOR APPROVAL

地址:新竹市橫山鄉橫山村站前街 58 號 Add: #58 Station Street, Henghan Hsing, Hsinchu Hsien, Taiwan

Tel: 886-3-593-3482 OR 3-593-1851 Fax: 886-3-593-4537 OR 3-593-3238

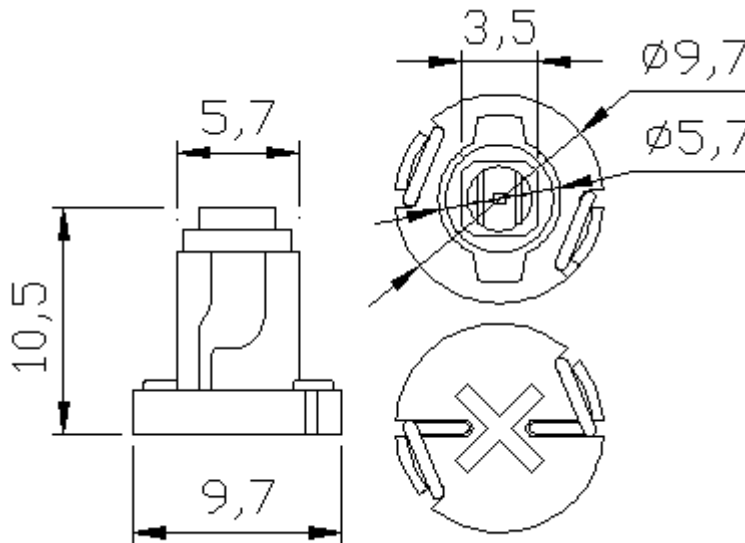
E-mail: att2278@ms71.hinet.net [Http://www.chi-ming.com](http://www.chi-ming.com)

### DESCRIPTION:

(A) Electronics and Optical Characteristics: Ta=25°C

| PART NO                 | Emitting Color | Forward Voltage (DC) | Totality Luminous Intensity   | Efficacy                | Dominant Wavelength | Color Temperature | Single LED Intensity | Viewing Angle |
|-------------------------|----------------|----------------------|-------------------------------|-------------------------|---------------------|-------------------|----------------------|---------------|
| <b>T4-NEO WEDGE-1HP</b> |                | Unit: V              | Unit: LM<br>Error margin: ±5% | Unit: LM/W              | Unit: nm            | Unit: K           | Unit: mcd (0.3m)     | Unit: deg     |
| <b>R</b>                | Super Red      | 14.20                | 2.209                         | 8.36                    | 627~640             | 1001              | 260                  | 115.4         |
| <b>Y</b>                | Super Yellow   | 14.20                | 2.238                         | 8.48                    | 596~600             | 1359              | 259                  | 114.4         |
| <b>G</b>                | Ultra Green    | 14.20                | 2.332                         | 8.98                    | 530~525             | 7500              | 255                  | 120.0         |
| <b>B</b>                | Ultra Blue     | 14.20                | 0.899                         | 3.44                    | 462~460             | >=100000          | 91                   | 112.2         |
| <b>W</b>                | Super White    | 14.20                | 3.946                         | 15.02                   | X:0.283Y:0.282      | 10016             | 560                  | 103.3         |
| <b>Test Condition</b>   |                | <b>Power:0.25W</b>   |                               | <b>Current:18±10%mA</b> |                     |                   |                      |               |

Figure:



### (B) Absolute Maximum Ratings AT Ta=25°C

| PARAMETER   | MAX             | UNIT |
|---|-----------------|------|
| Continuous Forward Current                                      |                 | mA   |
| Peak Forward Current (1/10 Duty Cycle 0.1ms Pulse Width)        |                 | mA   |
| Reverse Voltage   |                 | V    |
| Operating Temperature Range                                     | -20°C to +50°C  |      |
| Storage Temperature Range                                       | -40°C to +100°C |      |
| Lead Solder Temperature 1.6mm Below Package 260°C For 5 seconds |                 |      |

APPROVED & CHECKED BY: LiHuaping Tested By: LiHuaping Date: 2009/04/06